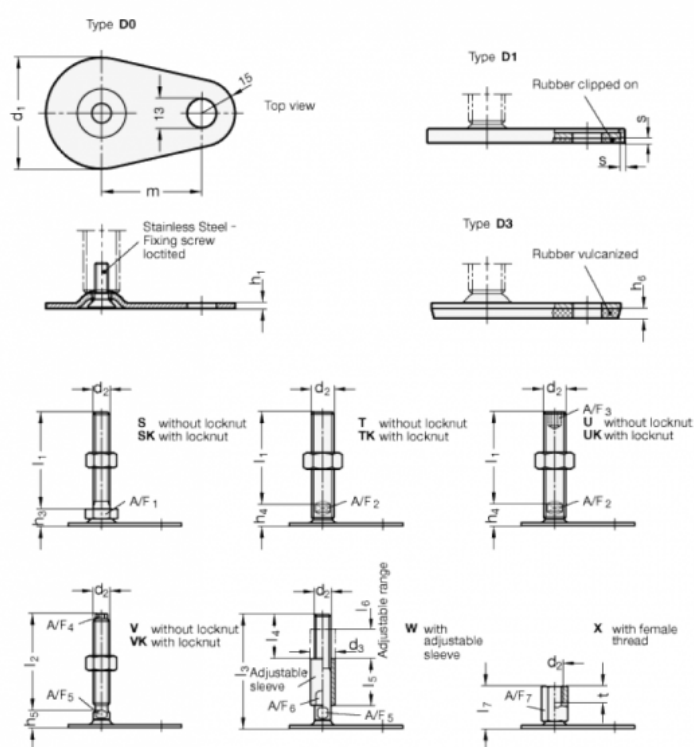


Article number: 204350M1280D0S

Description: E+G levelling foot
GN 43-50-M12-80-D0-S

Note: S Without nut, External hexagon at the bottom

Measures



A/F1 = 17

s =

d1 = 50

d2 = M12

h1 = 2.5

h3 = 11

h6 =

l1 = 80

m = 45